



Accessories

PAJERO
UNDERRIDE PROTECTION

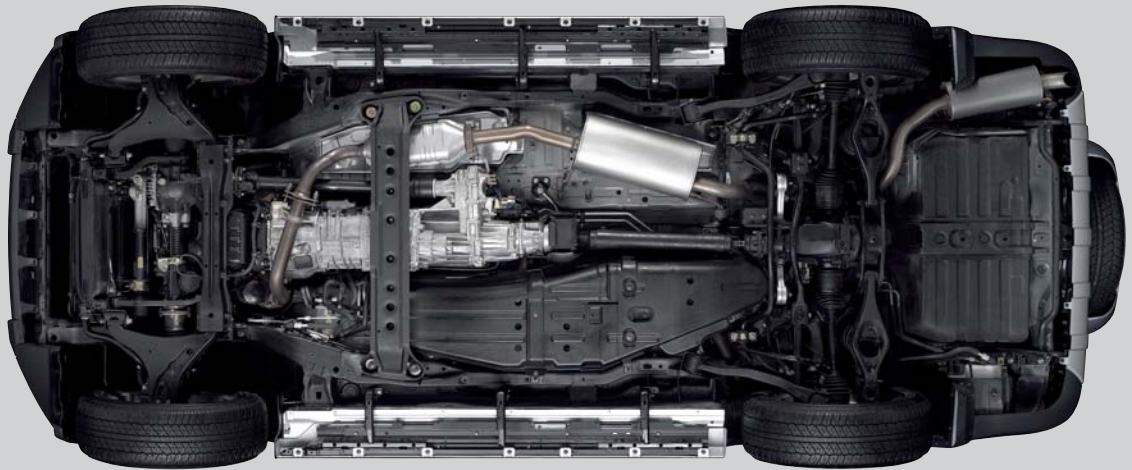


PAJERO UNDERRIDE PROTECTION

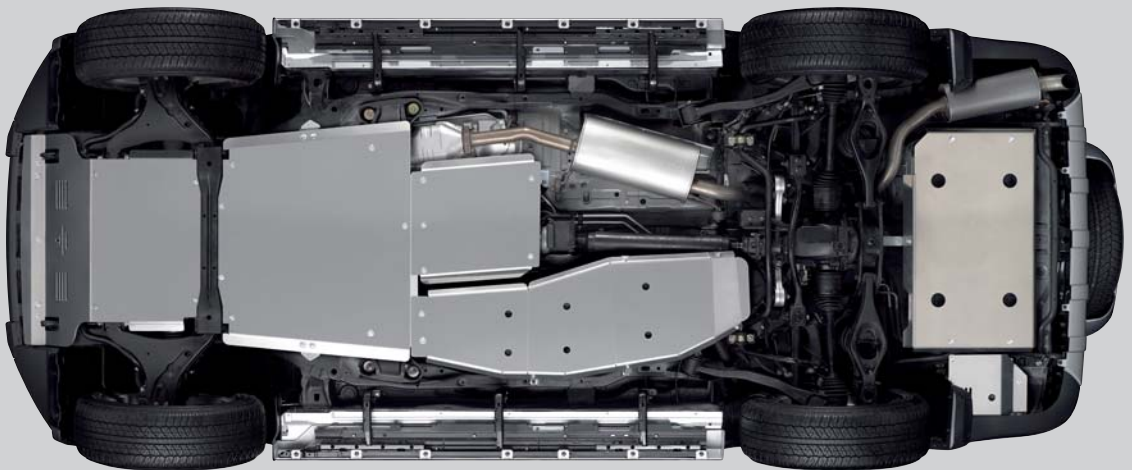
Quality skid plates to protect your Pajero against rough terrains.

Quality skid plates for off-road vehicles with one of the highest design, performance and finishing standards in the world.

Mitsubishi Motors offers various skid plates protecting the underbody parts of your Pajero such as front, gear, transfer and fuel tank. The skid plates are made of quality aluminium and are mounted to original holes in the vehicle. Service openings in the skid plates enable servicing the vehicle without dismantling the plates.



Without underride protection...



...or with underride protection.

SKID PLATES FOR PAJERO 3.8 PETROL / 3.2 DI-D A/T

DESCRIPTION	PART NUMBER	TYPE	WEIGHT	SIZE (mm)
Front skid plate A/T petrol 3.8	MME31671	LWB & SWB	12.0 kg	890x880x6
Front skid plate A/T diesel 3.2	MME31672	LWB & SWB	14.3 kg	920x900x6
Gear skid plate A/T petrol 3.8	MME31673	LWB & SWB	12.5 kg	1000x790x6
Gear skid plate A/T diesel 3.2	MME31674	LWB & SWB	14.0 kg	1000x790x6
Transfer skid plate A/T petrol 3.8	MME31675	LWB & SWB	15.0 kg	900x570x6
Transfer skid plate A/T diesel 3.2	MME31676	LWB & SWB	13.8 kg	570x860x6
Fuel tank skid plate A/T (petrol/diesel)	MME31677	LWB	11.0 kg	1400x510x6
Fuel tank skid plate A/T (petrol/diesel)	MME31678	SWB	9.0 kg	1230x500x6
Airco skid plate A/T (petrol/diesel)	MME31679	LWB	3.5 kg	350x330x6
Rear bench skid plate A/T (petrol/diesel)	MME31680	LWB	14.0 kg	950x570x6

Material: Aluminium 5052 / SWB: Short Wheel Base (3-doors) / LWB: Long Wheel Base (5-doors)

